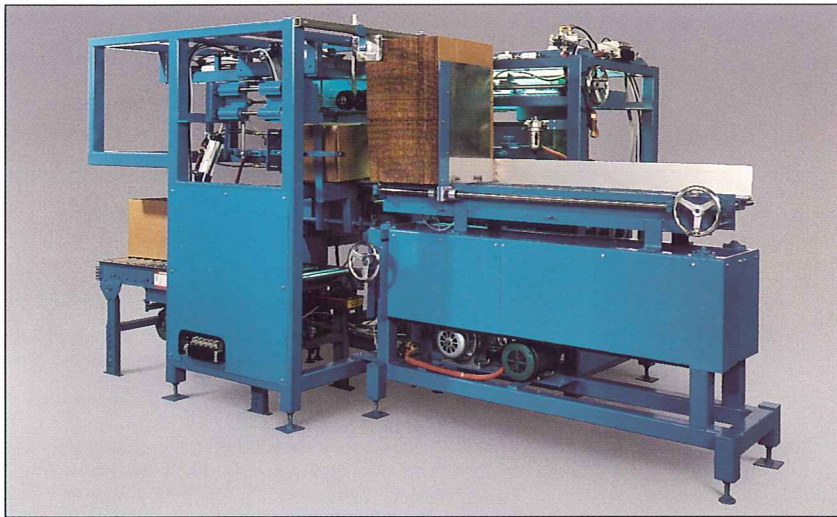


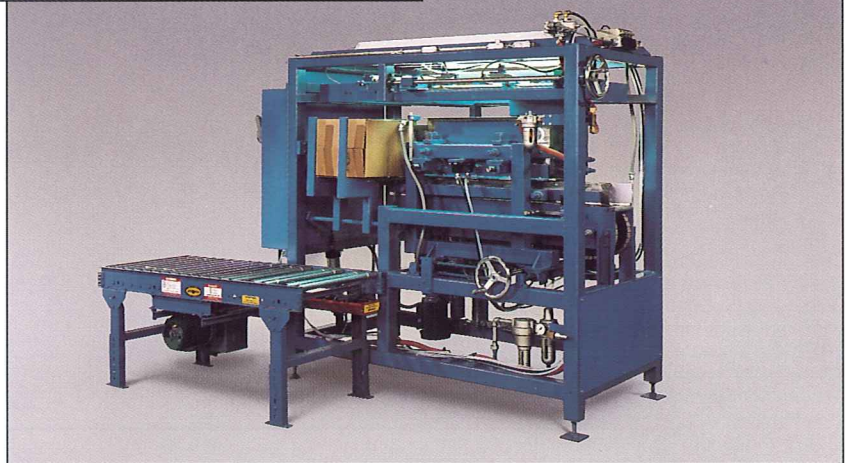
COMPACKER III

CASE ERECTOR / PACKER



CASE ERECTOR CAN
MAKE **ANY** EXISTING
SEMI-AUTOMATIC A
FULLY AUTOMATIC
CASE PACKER

**A
FULLY
AUTOMATIC
CASE PACKER
THAT
STARTS....**



... AS A SEMI-AUTOMATIC CASE PACKER

Will erect case, accumulate product and load cases
for: Meat-Dairy, Processed Foods, Fruit, Vegetables,
Plastic and Glass Containers, Chemicals, Fasteners,
and other Industrial Applications.



COMPACKER

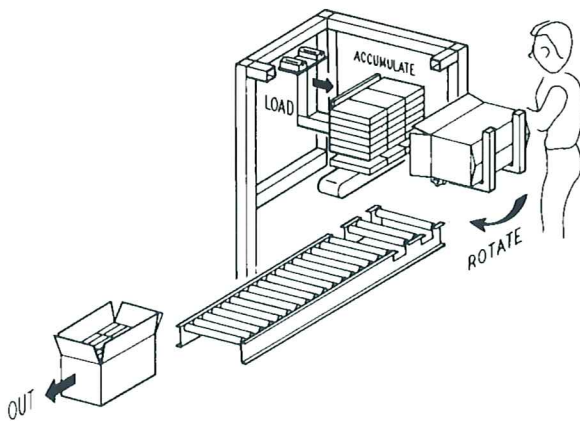
The COMPACKER III is a custom engineered case packaging/erecting system that can begin as a semi-automatic machine, and be upgraded to fully automatic by adding the case erector option. The machine's efficient, space saving design is tailored to your particular requirements and allows you to transform the COMPACKER III to a fully automatic machine when the occasion arises. Through the use of production tested designs backed by over 30 years of Compacker experience and proven performance, the COMPACKER III provides optimum productivity and cost efficiency.

FEATURES

- Fully automatic case erector/packer or semi-automatic with manual case erecting/positioning
- Fully automatic model has easy-to-load large capacity case magazine
- Semi-automatic system has flexibility of adding case erector option in the future
- Accumulates/loads product in a variety of pack patterns

- Powered take away conveyor
- Easily interfaces with present case sealer
- Easy changeover with most adjustments by handcranks
- Electrical controls with PLC logic
- Compact, ruggedly constructed of structural tubing for years of reliable service
- Electrical interlock doors for safety and quick access
- Simplicity and ease of maintenance
- Many options available according to customer needs

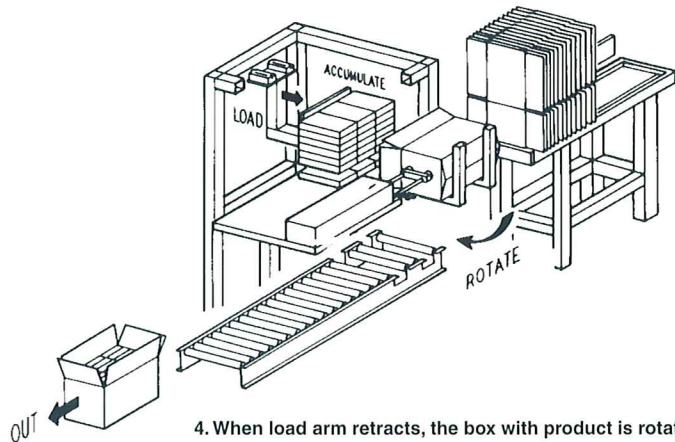
Semi-automatic Operation



1. The cartons are fed into the stacker where they are accumulated into the desired pack pattern.
2. Simultaneously, the operator erects a box, folds the bottom minor and major flaps and places it on load horn. A button is touched which activates the rotating arm.
3. Interlocks check for proper pattern and box presence. When both stations signal 'ready', the load is automatically moved into the box.
4. The packed box is rotated 90 degrees by the arm and positioned on a live roller conveyor and discharged to sealer.

Automatic Operation

1. The knocked down box is automatically erected from a box magazine by a vacuum system. The box is positioned in the load station.
2. Once positioned in the load station the bottom minor and major flaps are folded into position.
3. Simultaneously, the product is accumulated into the desired load pattern. Interlocks check for product and box presence. When both stations signal 'ready' the load is automatically moved into the box.



4. When load arm retracts, the box with product is rotated onto discharge conveyor. With this motion the bottom major flaps are folded. This permits the start of the next cycle.
5. The packed box with bottom flaps folded and top flaps vertical is discharged for sealing (by others).


COMPACKER SYSTEMS LLC
CASE PACKAGING SYSTEMS
 Established 1961

9104 N. Zenith-52806
 P.O. Box 2026
 Davenport, Iowa 52809-2026
 Ph: (563) 391-2751
 Fax: (563) 391-8598
 www.compacker.com


MADE IN U.S.A.

MEMBER
PMMI
USA®